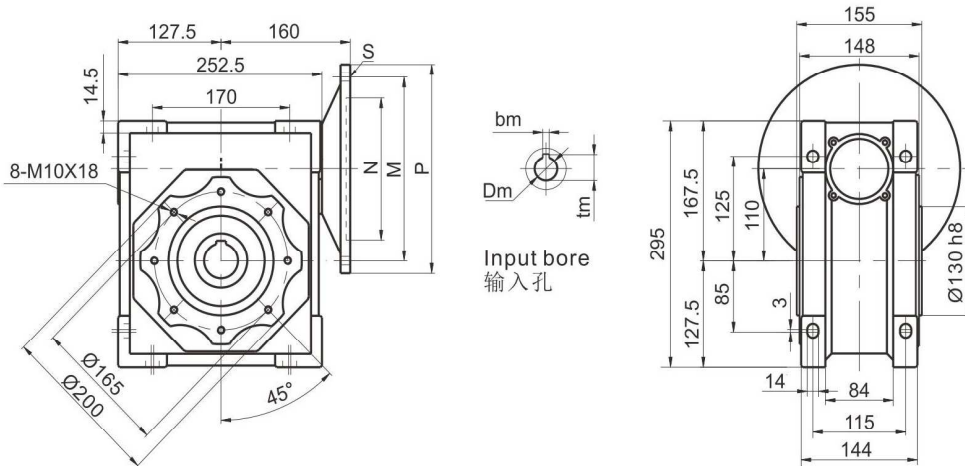


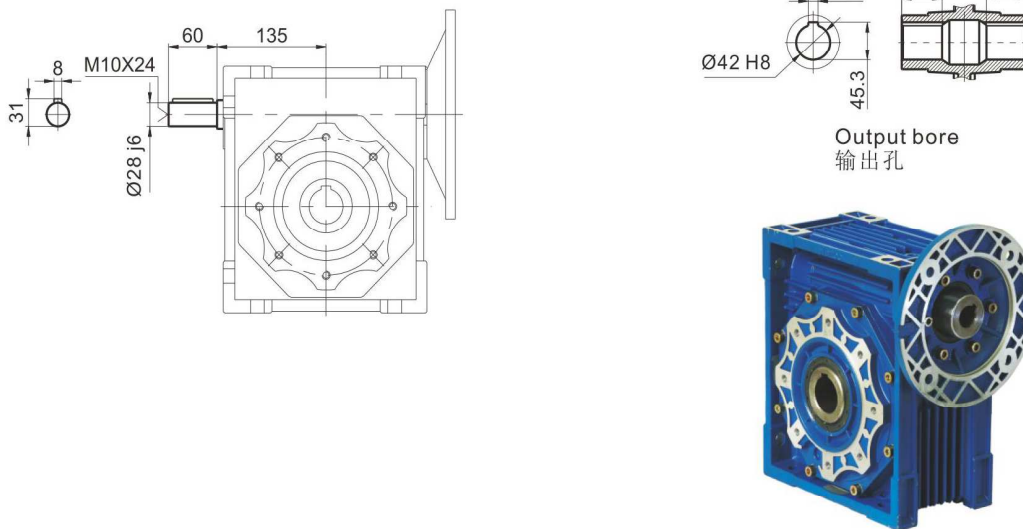
Dimensions 尺寸

105

HMRV



HMRV. VS

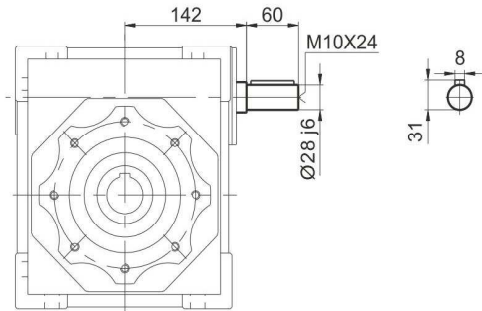


PAM-IEC 适用电机	N (H8)	M	P	bm	tm	S	Dm (H7)												
							5	7.5	10	15	20	25	30	40	50	60	80	100	Depth 深
132B5	$\varnothing 230$	$\varnothing 265$	$\varnothing 300$	10	41.3	$\varnothing 13$	-	38*	38*	38*	38*	-	-	-	-	-	-	-	80
100/112B5	$\varnothing 180$	$\varnothing 215$	$\varnothing 250$	8	31.3	$\varnothing 13$	-	28	28	28	28	28	28	28	28	28	-	-	60
90B5	$\varnothing 130$	$\varnothing 165$	$\varnothing 200$	8	27.3	$\varnothing 11$	-	-	-	-	-	24	24	24	24	24	24	24	50
80B5	$\varnothing 130$	$\varnothing 165$	$\varnothing 200$	6	21.8	$\varnothing 11$	-	-	-	-	-	-	-	-	-	-	19	19	40

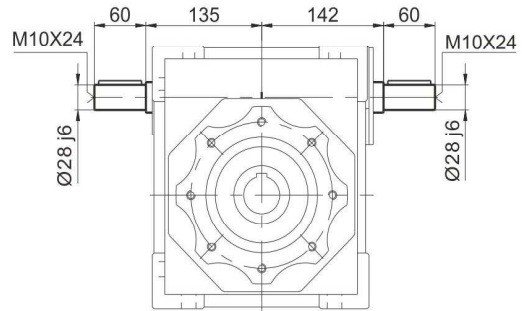
Weight : 21kg
重量 : 21kg

Note:(*)Low profile key supplied by Haitec.
注释:薄键由馥融传动提供

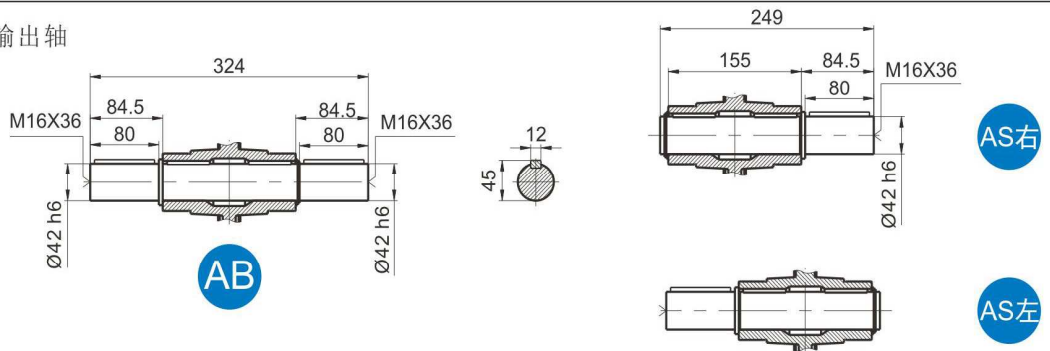
HRV



HRV.VS



Output shaft 输出轴



Output flange 输出法兰

